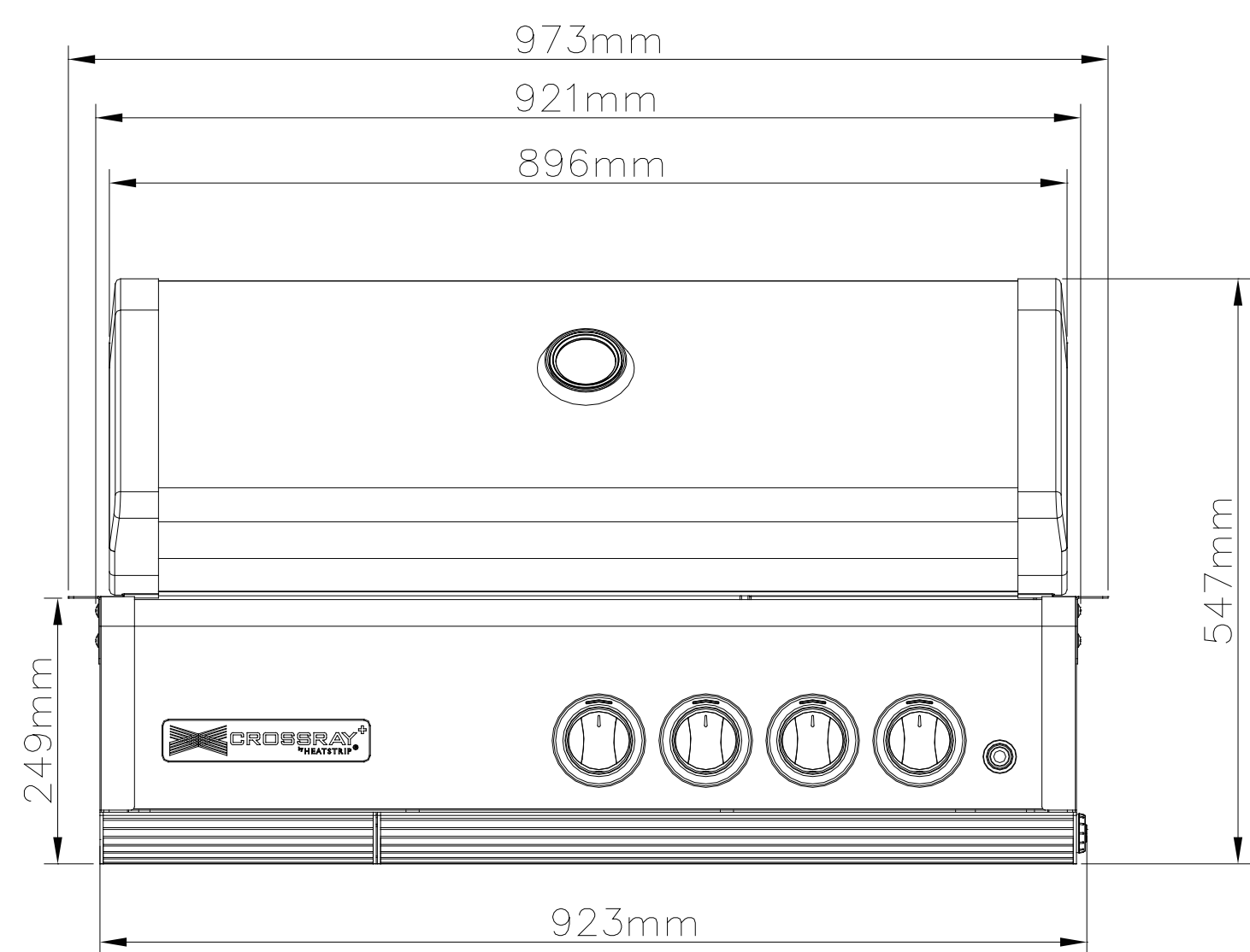
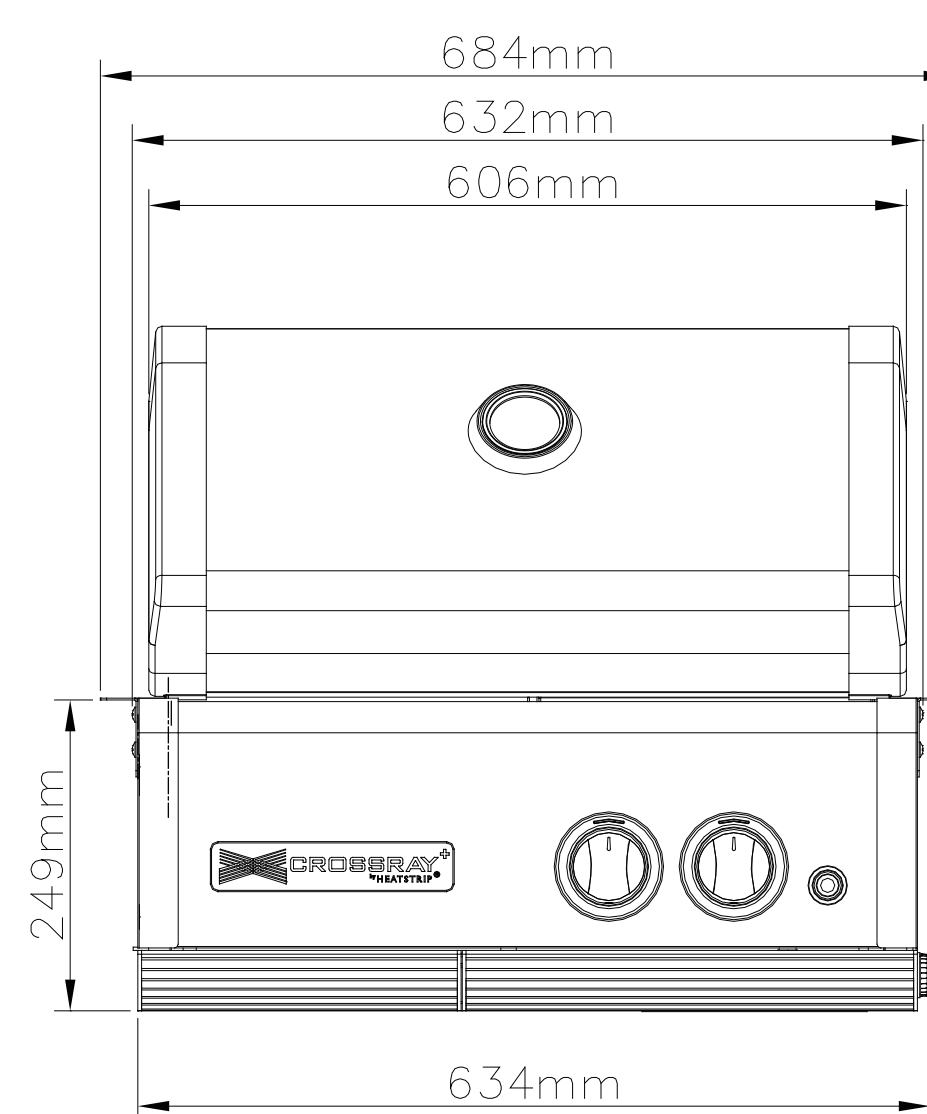


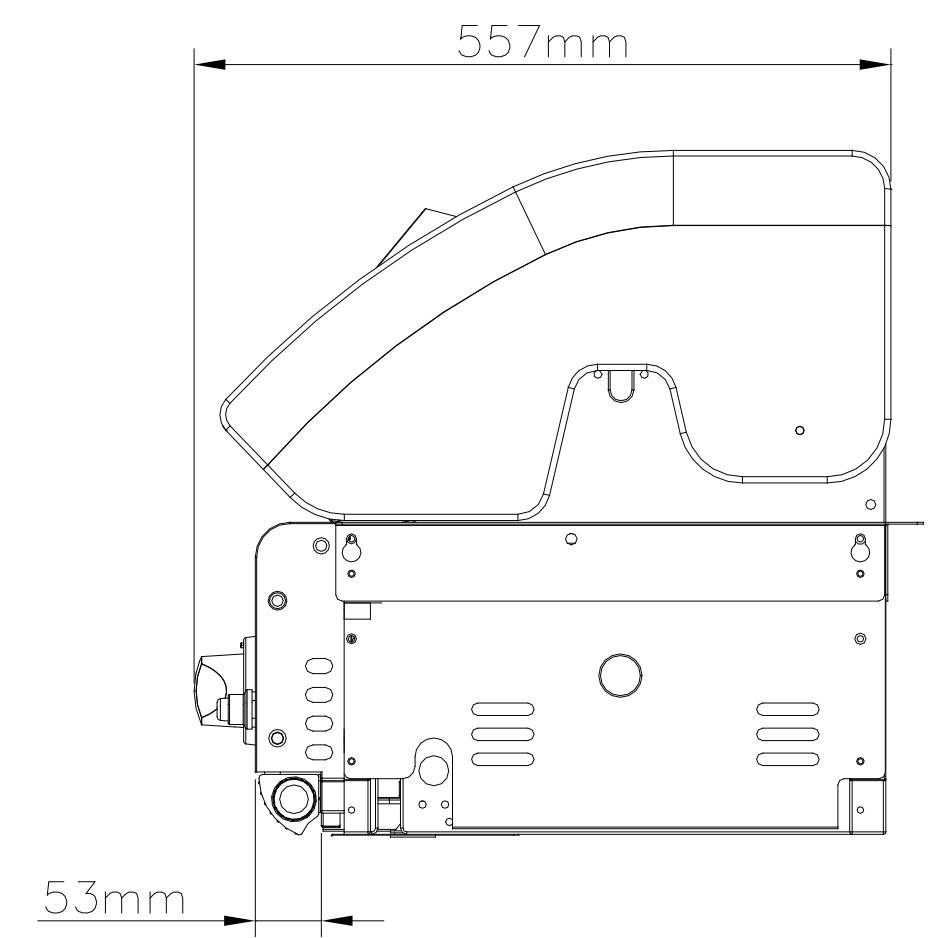
Grill Dimension



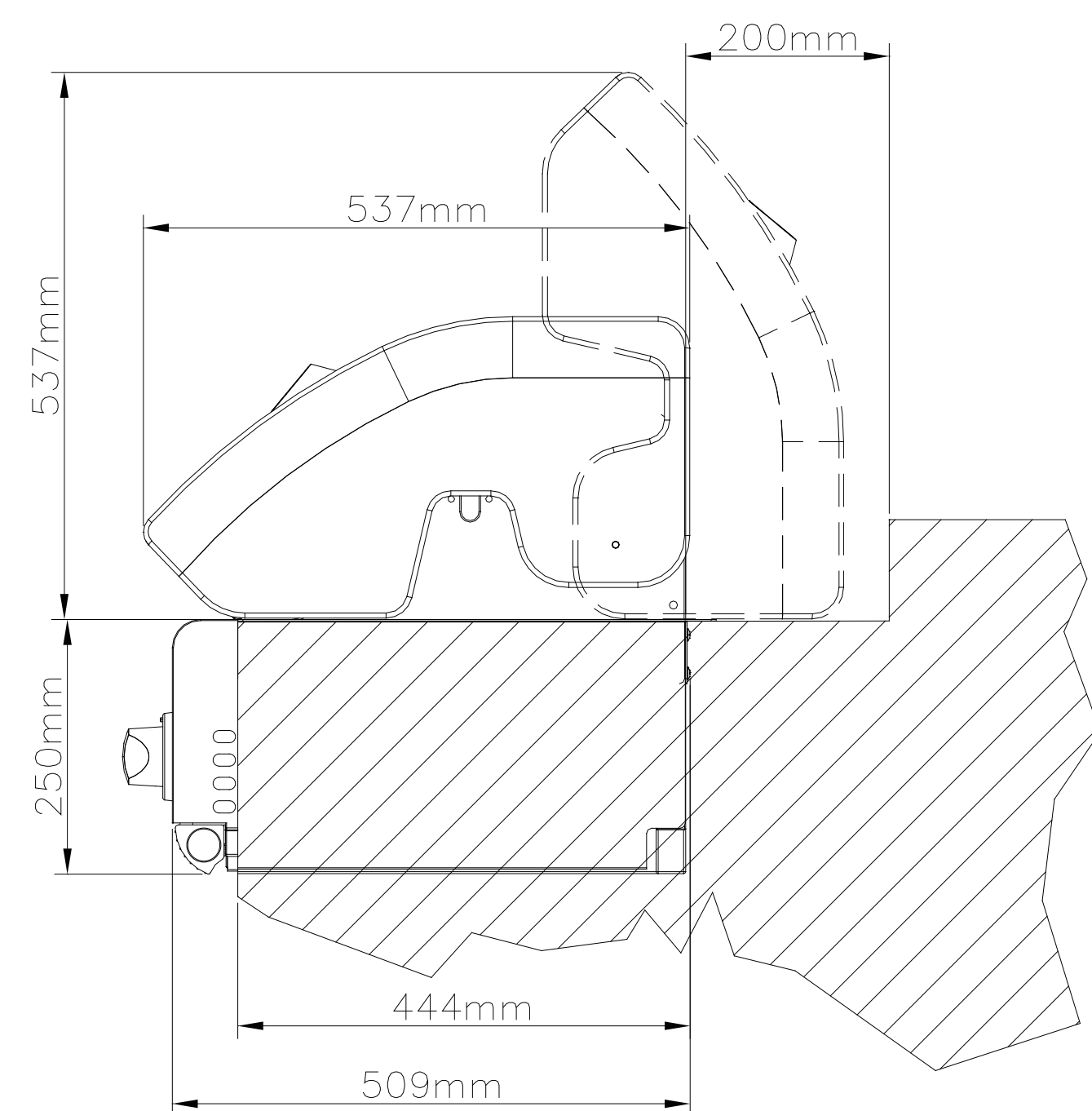
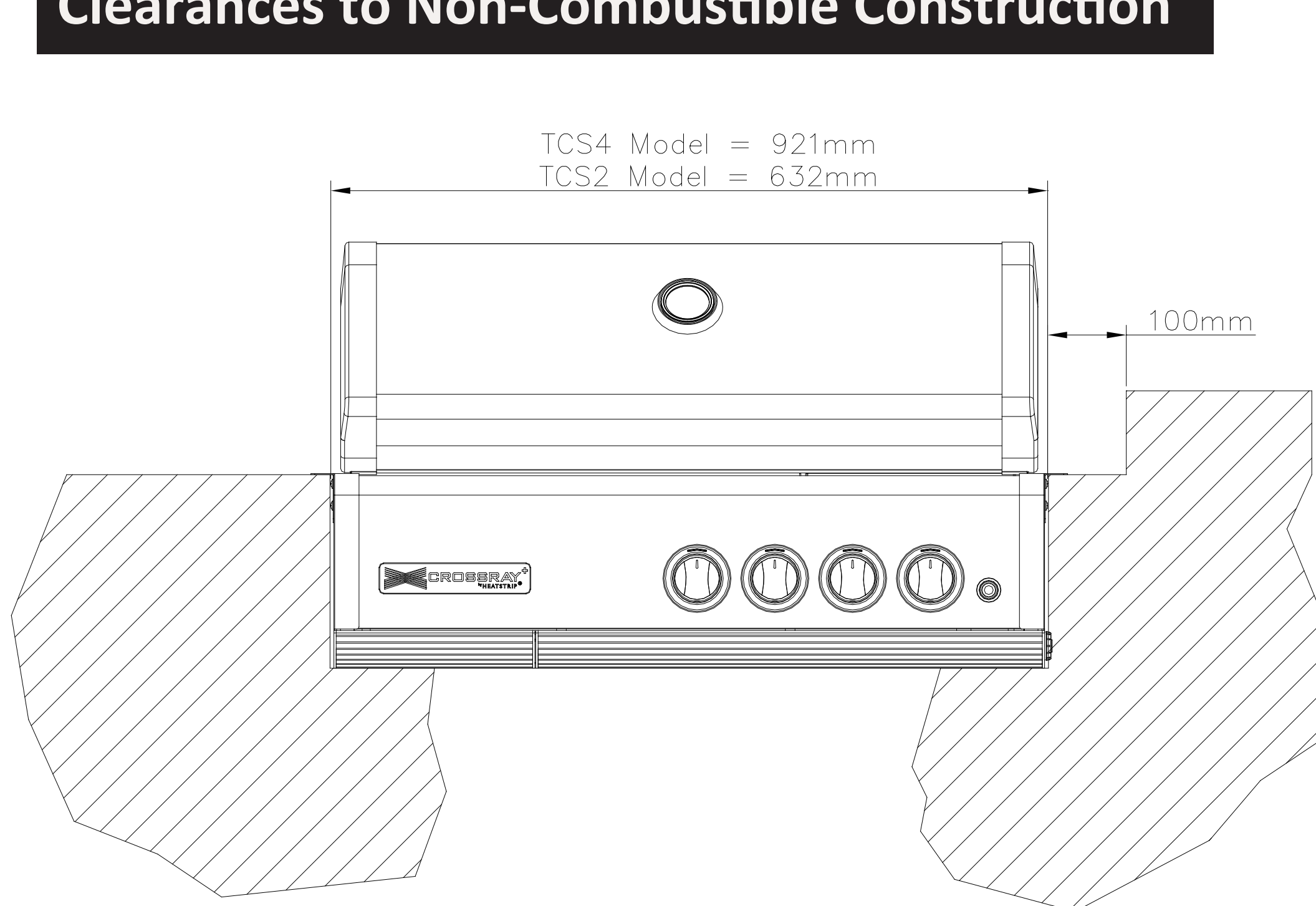
TCS 4 Inbuilt



TCS 2 Inbuilt



Clearances to Non-Combustible Construction



Important! Gas fittings, regulator, and installer supplied shut-off valves must be easily accessible

Note: All dimension shown refer to installation into a non-combustible enclosure. Minimum dimensions to combustible material is 50cm to right, left and 100cm above the grill. A minimum of 80cm clearance to combustibles from the rear of the grill is required.

Built-in planning guide for Non-Combustible enclosures Construction

